

11.22, 11.23, 11.26, 11.28, 11.30, 11.32

Find  $V_{out}$  as a function of  $V_p$  and  $V_n$  for the circuit shown in Figure 1. The parameters for the npn-BJT are  $\beta=200$ ,  $V_A=70V$ , and  $V_{BE(on)}=0.7V$ . The parameters for the pnp-BJT are  $\beta=200$ ,  $V_A=-70V$ , and  $V_{BE(on)}=-0.7V$ .

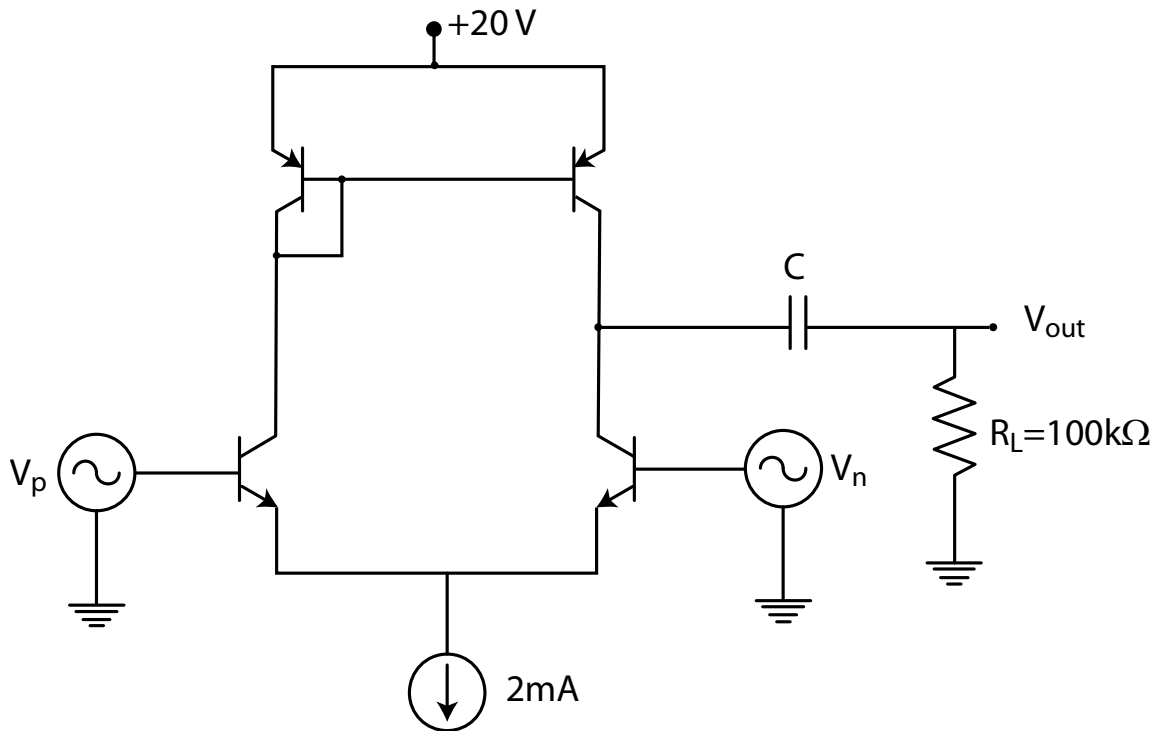


Figure 1